

结构特点 Design features

- 单端面、非平衡型、锥形弹簧钩传动结构，弹簧的另一端并圈锁紧在轴上，弹簧的旋向与轴的旋向有关。
- 通用性强，安装尺寸符合ISO30369、DIN24960和GB6556标准。
- Single face, unbalanced structure and driven by conical spring, another side of closed coil locked on the shaft, spring wound collected with axial wound of the pump.
- The installation dimensions conform to the standard of GB6556, ISO3069 and DIN24960, which have a wide application range.

材料 Materials(to DIN24960)

- 旋转环 Rotary Ring: E、G、Q22、U12
- 静止环 Stationary Ring: B、Q22、U12
- 辅助密封 Auxiliary Seal: P、E、V
- 弹簧及其他结构件材料 Spring and Other Parts: F、G

适用范围 Operating limits

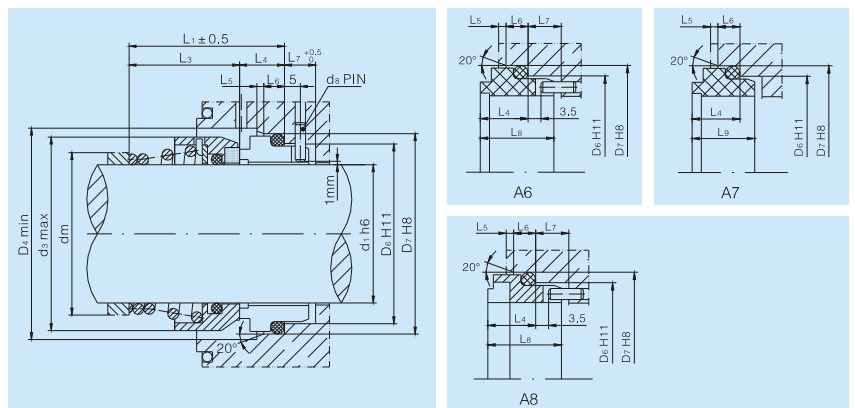
- 压力 Pressure: $\leq 1.0\text{MPa}$
- 温度 Temperature: $-20\sim 150^\circ\text{C}$
- 线速度 Speeds: $\leq 10\text{m/sec}$
- 粘度 Viscosity: $\leq 1.0\text{Pa.s}(1000\text{cp})$ 软对硬(Soft VS Hard)
 $\leq 3.5\text{Pa.s}(3500\text{cp})$ 硬对硬(Hard VS Hard)

用途 Applications

适用于清水泵、污水泵、潜水泵、化工泵等设备。
Used in clean water, waste water, submersible and chemical pumps and equipment.

介质 Medium

油类、水及其它弱腐蚀性溶液。
Oil, water and other weak corrosive fluid.



型号 Model	d1	d3	D4	D6	D7	d8	dm	L1	L3	L4	L5	L6	L7	L8	L9
CN M1-12	12	22	24	19	23	3	16	25.5	18.0	7.5	1.5	4.0	8.5	13.5	8.5
CN M1-14	14	24	26	21	25	3	18	25.5	18.0	7.5	1.5	4.0	8.5	13.5	8.5
CN M1-15	15	29	31	21	25	3	19	34.5	27.0	7.5	1.5	4.0	8.5	13.5	8.5
CN M1-16	16	30	32	23	27	3	20	37.0	27.0	10.0	1.5	4.0	8.5	17.5	11.5
CN M1-18	18	32	34	27	33	3	22	37.5	27.5	10.0	2.0	5.0	9.0	17.5	12.0
CN M1-19	19	33	35	29	35	3	23	37.5	27.5	10.0	2.0	5.0	9.0	17.5	12.0
CN M1-20	20	34	36	29	35	3	25	37.5	27.5	10.0	2.0	5.0	9.0	17.5	12.0
CN M1-22	22	36	38	31	37	3	27	37.5	27.5	10.0	2.0	5.0	9.0	17.5	12.0
CN M1-24	24	38	40	33	39	3	29	40.0	30.0	10.0	2.0	5.0	9.0	17.5	12.0
CN M1-25	25	39	41	34	40	3	30	40.0	30.0	10.0	2.0	5.0	9.0	17.5	12.0
CN M1-28	28	42	44	37	43	3	33	42.5	32.5	10.0	2.0	5.0	9.0	17.5	12.0
CN M1-30	30	44	46	39	45	3	36	42.5	32.5	10.0	2.0	5.0	9.0	17.5	12.0
CN M1-32	32	46	48	42	48	3	38	42.5	32.5	10.0	2.0	5.0	9.0	17.5	12.0
CN M1-33	33	47	49	42	48	3	40	42.5	32.5	10.0	2.0	5.0	9.0	17.5	12.0
CN M1-35	35	49	51	44	50	3	42	42.5	32.5	10.0	2.0	5.0	9.0	17.5	12.0
CN M1-38	38	54	58	49	56	4	45	45.0	32.0	13.0	2.0	6.0	9.0	20.0	14.5
CN M1-40	40	56	60	51	58	4	47	45.0	32.0	13.0	2.0	6.0	9.0	20.0	14.5
CN M1-42	42	59	63	54	61	4	51	45.0	32.0	13.0	2.0	6.0	9.0	20.0	14.5
CN M1-43	43	59	63	54	61	4	51	45.0	32.0	13.0	2.0	6.0	9.0	20.0	14.5
CN M1-45	45	61	65	56	63	4	53	45.0	32.0	13.0	2.0	6.0	9.0	20.0	14.5
CN M1-48	48	66	68	59	66	4	56	45.0	32.0	13.0	2.0	6.0	9.0	20.0	14.5
CN M1-50	50	68	70	62	70	4	59	47.5	33.5	14.0	2.5	6.0	9.0	21.0	15.5
CN M1-55	55	71	75	67	75	4	64	47.5	33.5	14.0	2.5	6.0	9.0	21.0	15.5
CN M1-60	60	80	85	72	80	4	70	52.5	38.5	14.0	2.5	6.0	9.0	21.0	15.5
CN M1-65	65	85	90	77	85	4	76	52.5	38.5	14.0	2.5	6.0	9.0	21.0	15.5
CN M1-70	70	90	95	83	92	4	81	60.0	44.0	16.0	2.5	7.0	9.0	22.0	16.5
CN M1-75	75	93	104	88	97	4	86	60.0	44.0	16.0	2.5	7.0	9.0	22.0	16.5
CN M1-80	80	100	109	95	105	4	92	60.0	42.0	18.0	3.0	7.0	9.0	24.5	20.0
CN M1-85	85	105	114	100	110	4	98	60.0	42.0	18.0	3.0	7.0	9.0	24.5	20.0
CN M1-90	90	110	119	105	115	4	103	65.0	47.0	18.0	3.0	7.0	9.0	24.5	20.0
CN M1-95	95	115	124	110	120	4	108	65.0	47.0	18.0	3.0	7.0	9.0	24.5	20.0
CN M1-100	100	120	129	115	125	4	114	65.0	47.0	18.0	3.0	7.0	9.0	24.5	20.0